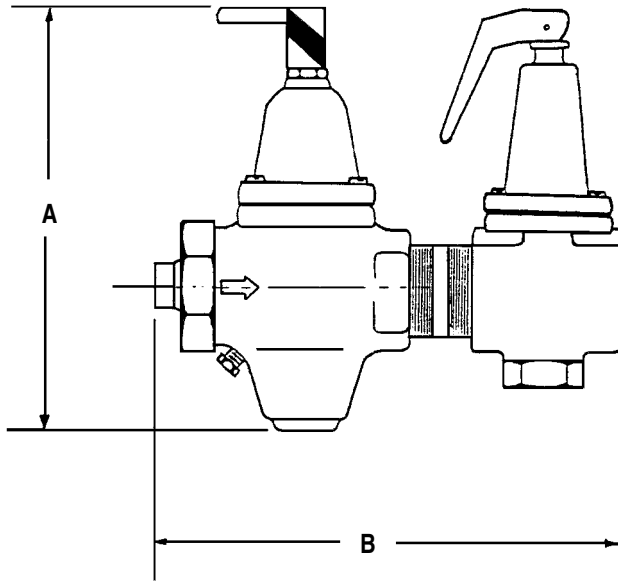


# Dual Control Valve



## Features:

- Combination relief and pressure reducing valve
- Adjustable pressure range 10-25 psig
- Preset pressure at 12 psig
- Maximum working temperature of 212°F
- Maximum operating pressure of 30 psig for relief valve and 100 psig for reducing valve

## Dimensions: (For Models DC0050S and DC0050)

A	B	Weight (lbs.)
5 <sup>5</sup> / <sub>16</sub> "	6 <sup>13</sup> / <sub>16</sub> "	3.3

## Bill of Materials

Model Number	Material Specification	Size and Type of Connections
DC0050S	Cast Iron	1/2" Sweat 1/2" NPT
DC0050	Cast Iron	1/2" NPT

Dimensions are subject to change without notice, please confirm actual dimensions with factory at time of order.

JOB NAME \_\_\_\_\_  
 LOCATION \_\_\_\_\_  
 \_\_\_\_\_  
 \_\_\_\_\_  
 CONTRACTOR \_\_\_\_\_  
 CONTRACTOR P.O. NO. \_\_\_\_\_

ITEMS	QUANTITY
_____	_____
_____	_____
_____	_____
_____	_____
_____	_____
_____	_____



1005 E. Houston  
 Broken Arrow, OK 74012  
 Toll Free: 866-204-5229  
 PH: 918-317-0401  
 FAX: 918-317-0407  
 www.wheatleyhvac.com  
 e-mail: sales@globalflowproducts.com