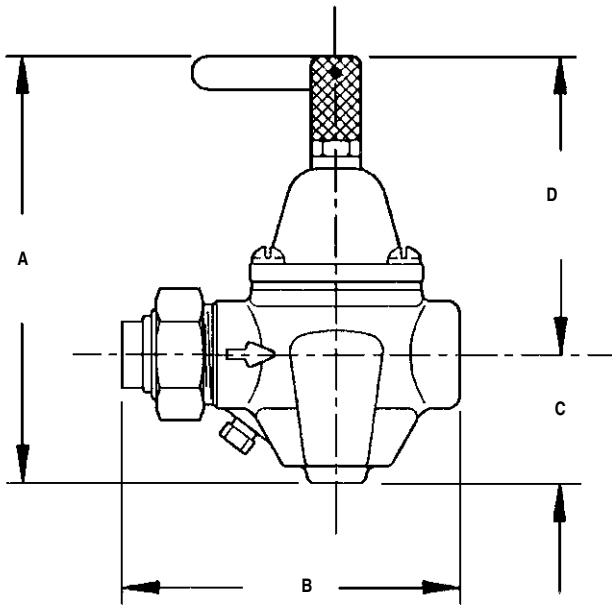


Water Pressure Reducing Valve



Model WPR0050

Features:

- Reduces city water pressure to desired system pressure
- Automatically feeds water when pressure in a system drops below the setting of the valve
- Brass or bronze construction
- Easily and quickly serviced without removing valve from line
- Integral strainer
- Adjustable pressure range of 10-70 psig; factory set at 45 psig
- Maximum working pressure of 400 psig
- Maximum operating temperature of 180°F

Dimensions:

Model	Material	Size	A	B	C	D	Wt. (lbs.)
WPR0050	Bronze	1/2" NPT	5.40	4.31	1.05	4.35	2.5
WPR0075	Bronze	3/4" NPTF	5.40	4.47	1.05	4.35	2.5
WPR0110	Bronze	1" NPTF	5.40	5.17	1.05	4.35	2.5

Dimensions are subject to change without notice, please confirm actual dimensions with factory at time of order.

JOB NAME _____
 LOCATION _____

 CONTRACTOR _____
 CONTRACTOR P.O. NO. _____

ITEMS	QUANTITY
_____	_____
_____	_____
_____	_____
_____	_____
_____	_____
_____	_____



1005 E. Houston
 Broken Arrow, OK 74012
 Toll Free: 866-204-5229
 PH: 918-317-0401
 FAX: 918-317-0407
 www.wheatleyhvac.com
 e-mail: sales@globalflowproducts.com