

Plug Style Balancing Valve



Features:

- Compact design, quarter turn operation
- Easy to read flow indication plate
- Gear operator handwheel standard on 10" and 12" models
- Lever standard on 2 1/2" and 3"
- Maximum working pressure of 175 psi
- Ideal for HVAC hydronic balancing
- Adjustable memory stop standard on 2 1/2" through 8"
- Schrader style test port connections for balancing
- Maximum working temperature of 250°F

Options:

- Gear operator lever available on 4" through 8" models (must be ordered separately)
- 2 1/2" through 4" available with NPT connections
- Grooved connections available

C_v Chart

| Valve Size | C Values—Wide Open (Flow in GPM of Water at 1 psi pressure drop) |
|------------|--|
| 2 1/2" | 236 |
| 3" | 330 |
| 4" | 560 |
| 5" | 1180 |
| 6" | 1180 |
| 8" | 2030 |
| 10" | 3130 |
| 12" | 4140 |

Bill of Materials:

| Part | Material |
|-----------|--------------------|
| Body | Cast Iron |
| Plug Seal | Isobutene-Isoprene |
| Bearings | Stainless Steel |
| Packing | Buna |

Dimensions are subject to change without notice, please confirm actual dimensions with factory at time of order.

| |
|---------------------------|
| JOB NAME _____ |
| LOCATION _____ |
| CONTRACTOR _____ |
| CONTRACTOR P.O. NO. _____ |

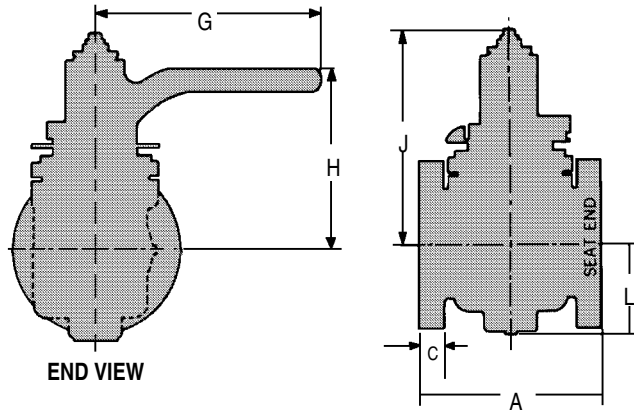
| ITEMS | QUANTITY |
|-------|----------|
| _____ | _____ |
| _____ | _____ |
| _____ | _____ |
| _____ | _____ |
| _____ | _____ |



1005 E. Houston
Broken Arrow, OK 74012
Toll Free: 866-204-5229
PH: 918-317-0401
FAX: 918-317-0407
www.wheatleyhvac.com
e-mail: sales@globalflowproducts.com

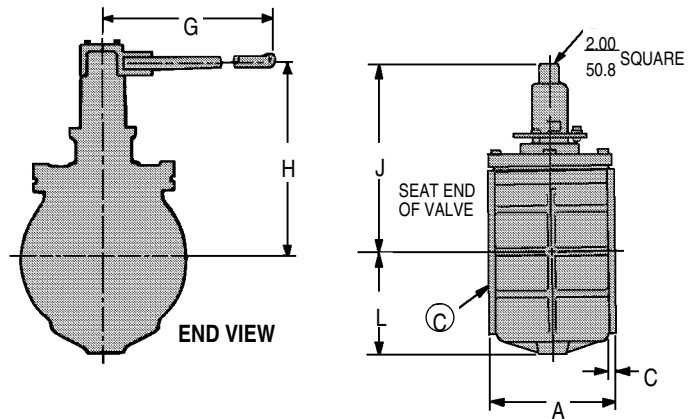
2 1/2" and 3" Valve Dimensional Data

| Size | 2 1/2" | 3" |
|------|---------|----------|
| A | 7 1/2" | 8" |
| C | 7/10" | 3/4" |
| G | 7 1/2" | 9" |
| H | 5 7/10" | 6 2/5" |
| J | 7" | 7 3/4" |
| L | 3 3/25" | 3 22/25" |
| WT. | 29 lbs. | 42 lbs. |



4" through 8" Valve Dimensional Data

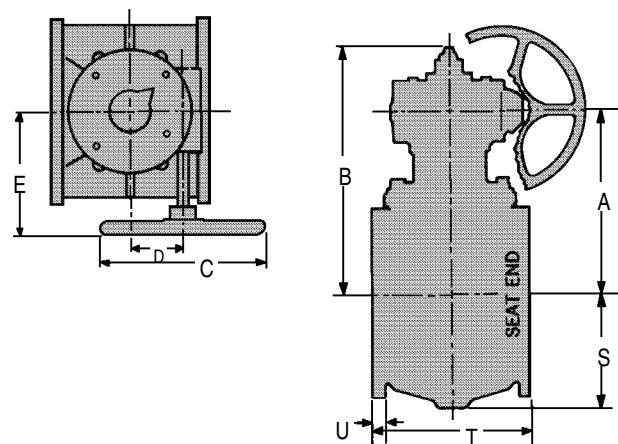
| Size | 4" | 5" and 6" | 8" |
|------|---------|-----------|-----------|
| A | 9" | 10 1/2" | 11 1/2" |
| C | 7/10" | 3/4" | 4/5" |
| G | 14 3/4" | 32 3/4" | 43 1/4" |
| H | 9 1/4" | 12 22/25" | 14 11/25" |
| J | 10 1/5" | 13 4/5" | 15 2/5" |
| L | 5 2/5" | 6 1/2" | 8 1/4" |
| Wt. | 65 lbs | 110 lbs | 171 lbs. |



Please note: The "G" dimension (lever length) is based on a pressure drop of 25 psi for the 4" valve, and 100 psi for the 5" through 8" valves. For lever lengths with different pressure drops, consult factory.

10" and 12" Valve Dimensional Data

| Size | 10" | 12" |
|------|-----------|-----------|
| A | 15 3/25" | 16 3/4" |
| B | 19 22/25" | 21 1/2" |
| C | 8" | 12" |
| D | 3 3/4" | 7" |
| E | 11 3/25" | 17 22/25" |
| S | 9 22/25" | 11 3/5" |
| T | 13" | 14" |
| U | 22/25" | 47/50" |
| Wt. | 250 lbs. | 390 lbs. |



Dimensions are subject to change without notice, please confirm actual dimensions with factory at time of order.