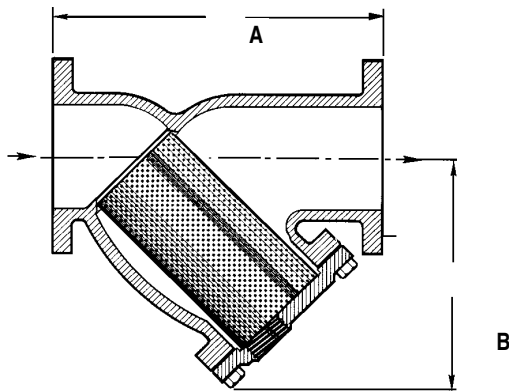


Y-Type Flanged Strainers Model YF 125 PSI



Dimensional Data (In Inches)

Model	Size	A	B	Blowoff NPT	Screen Removal	Weight (Lbs.)
YF0200	2	8 7/8	5 1/4	1 1/2	7	36
YF0250	2 1/2	10 1/4	7 5/8	1	9 3/4	48
YF0300	3	11 1/2	8 1/4	1 1/4	10	86
YF0400	4	13 7/8	10 1/8	1 1/4	12	106
YF0500	5	16 3/8	12 1/2	1 1/2	17	156
YF0600	6	18 1/2	13	1 1/2	20	201
YF0800	8	21 3/8	13 7/8	2	22 3/4	321
YF1000	10	26	17 1/8	2	28	370
YF1200	12	30	20 1/2	2	30	621
YF1400	14	37 3/8	27 1/8	2	36 1/2	992
YF1600	16	42 1/2	31 1/16	2	42	1367
YF 1800	18	45 1/4	32 3/4	2	43	1676
YF 2000	20	50 1/4	36 1/8	2	44	1764

Operating Pressure & Temperature:

Steam	125 PSI @ 350°F
Liquid	200 PSI @ 150°F

Standard Screens:

Service	Sizes	Screen Openings	Screen Material
Steam & Liquid	2"-3"	.045 (3/64")	Stainless Steel-304
	4"- 20"	.125 (1/8")	

*Perforated monel and other alloys are available as an option.

Mesh lining is available in all alloys for extra fine straining.

Consult factory for other applications.

*All sizes come complete with flanged blow off cover, gasket and plug.

Catalog weights & dimensions are approximate.

Apply for certified dimensions from the factory.

Bill of Materials

Part Name	Material
Cover	Cast Iron ASTM A126 Class B
Gasket	Graphite & Steel
Screen	Stainless Steel - Type 304
Body	Cast iron ASTM A126 Class B
Bolts	Steel ASTM A307

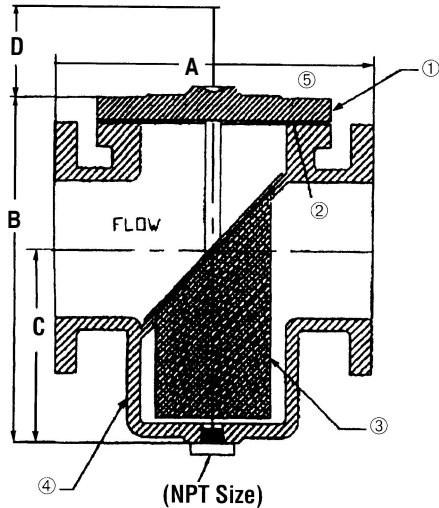
Dimensions are subject to change without notice, please confirm actual dimensions with factory at time of order.

JOB NAME _____
LOCATION _____

CONTRACTOR _____
CONTRACTOR P.O. NO. _____

ITEMS	QUANTITY
_____	_____
_____	_____
_____	_____
_____	_____
_____	_____

Basket Type Strainers



Dimensional Data (In Inches)

Model	Size	A	B	C	D	Model	Weight (Lbs.)
BS0200	2	8 1/8	8 3/4	5	3/4	5 3/8	34
BS0250	2 1/2	8 1/4	9 11/16	5 3/8	3/4	6 5/16	43
BS0300	3	9 7/8	10 1/2	6 1/2	3/4	8	60
BS0400	4	11 1/2	14 9/16	8	1	9 5/16	120
BS0500	5	13 1/8	15	8	1	10 1/4	140
BS0600	6	14 7/8	15 1/4	8 5/8	1 1/4	11 1/8	164
BS0800	8	18 11/16	20 3/4	11 3/4	1 1/2	15 9/16	330
BS1000	10	20 1/8	24 1/4	13 3/4	1 1/2	18	350
BS1200	12	26 1/4	29 1/4	16 3/8	1	23 1/4	716
BS1400	14	30 1/4	36 3/8	22 3/8	2	26 1/4	1010
BS1600	16	33 1/8	38 1/4	22 5/8	2	28 1/8	1320
BS1800	18	38 3/8	38	28 3/8	2	26 3/4	1916
BS2000	20	41 1/2	43 5/8	32 3/8	2	34 1/8	2460

Operating Pressure & Temperature:

		Saturated Steam	Water - Oil - Gas
125#	2 to 12"	125 PSI @ 350°F	150 PSI @ 150°F

Standard Baskets:

Size	Standard Mesh	Opening
2" to 3"	3/64 perf	.045"
4" to 20"	1/8 perf	.125"

Bill of Materials

Item	Part Name	Material
1	Cover	Cast Iron ASTM A126-B
2	Gasket	Fiber
3	Screen	Stainless Steel
4	Body	Cast Iron ASTM A126-B
5	Bolts	Carbon Steel

Dimensions are subject to change without notice, please confirm actual dimensions with factory at time of order.

JOB NAME _____
 LOCATION _____

 CONTRACTOR _____
 CONTRACTOR P.O. NO. _____

ITEMS	QUANTITY
_____	_____
_____	_____
_____	_____
_____	_____
_____	_____



1005 E. Houston
 Broken Arrow, OK 74012
 Toll Free: 866-204-5229
 PH: 918-317-0401
 FAX: 918-317-0407
 www.wheatleyhvac.com
 e-mail: sales@globalflowproducts.com