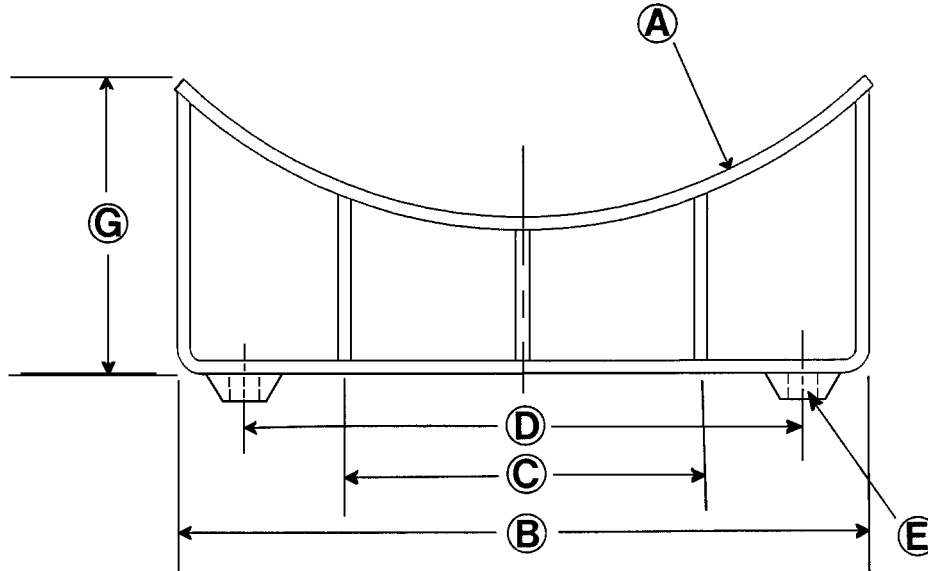


# Expansion Tank Saddles



## Dimensions (In Inches)

Tank Diameter	A	B	C	D	E	F	G
12"	6	10	N/A	7	1 1/2 NPT	3	6 5/32
14"	7	12	N/A	9	1 1/2 NPT	3	6 9/16
16"	8	14	N/A	11	1 1/2 NPT	3	7 1/4
20"	10	16	8	12	2 NPT	4	7 1/4
24"	12	18	9	14	2 NPT	4	7 7/16
30"	15	22	11	17	2 1/2 NPT	5	8 3/16
36"	18	28	13	22	2 1/2 NPT	5	8 15/16

Dimensions are subject to change without notice, please confirm actual dimensions with factory at time of order.

JOB NAME \_\_\_\_\_  
 LOCATION \_\_\_\_\_  
 \_\_\_\_\_  
 \_\_\_\_\_  
 CONTRACTOR \_\_\_\_\_  
 CONTRACTOR P.O. NO. \_\_\_\_\_

ITEMS	QUANTITY
_____	_____
_____	_____
_____	_____
_____	_____
_____	_____
_____	_____



1005 E. Houston  
 Broken Arrow, OK 74012  
 Toll Free: 866-204-5229  
 PH: 918-317-0401  
 FAX: 918-317-0407  
 www.wheatleyhvac.com  
 e-mail: sales@globalflowproducts.com