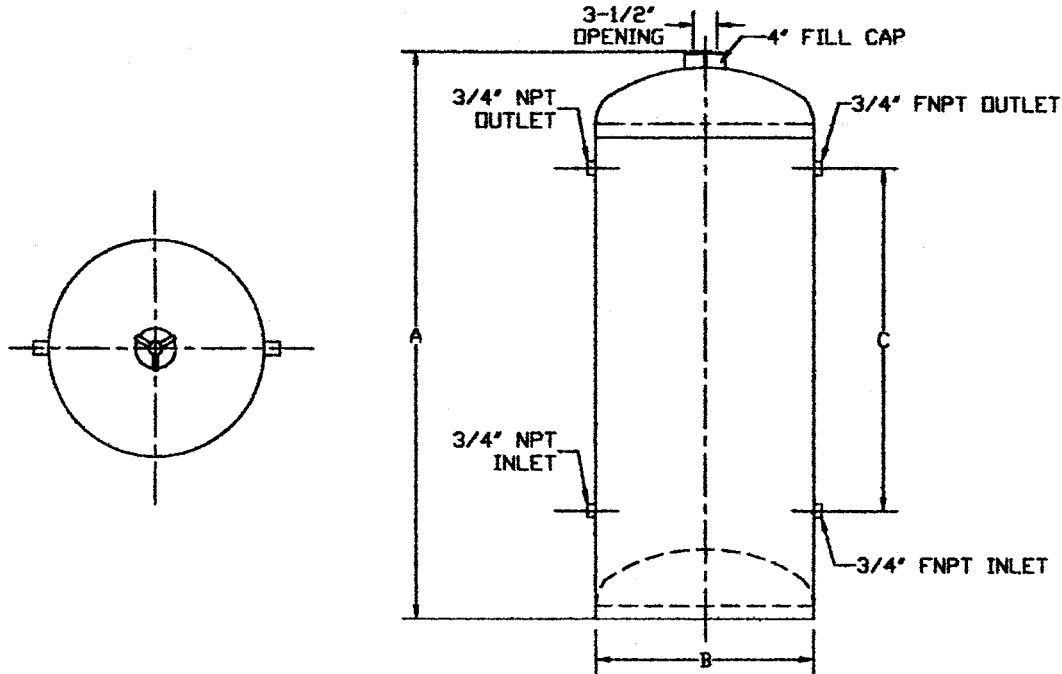


CHEMICAL BY-PASS FEEDERS



PART NUMBER	VOLUME	A(IN.)	B(IN.)	C(IN.)	WEIGHT	HEAD GAGE	SHELL GAGE
BFT-002X4	2 GAL.	21-1/4	6"	12-3/4"	23	11	11
BFT-002-F	5 GAL..	19-3/4	10"	10-1/2"	37	9	10

USE: For water treatment in closed circulating water systems and boilers.
Great for use with chilled water treatment such as cooling systems and hot water treatment in heating systems.
Helps prolong life of heating and cooling systems.

SPECIFICATIONS:

- Working Pressure rated at 300 P.S.I.
- Caps are Easy Quick Opening
- Bottom of Cap is Epoxy Coated for Liquid
- Carbon Steel Construction
- Self Supported Bottom
- Coarse Thread with 2 1/2 Turn Design

Dimensions are subject to change without notice, please confirm actual dimensions with factory at time of order.

JOB NAME _____
 LOCATION _____

 CONTRACTOR _____
 CONTRACTOR P.O. NO. _____

ITEMS	QUANTITY
_____	_____
_____	_____
_____	_____
_____	_____
_____	_____



1005 E. Houston
 Broken Arrow, OK 74012
 Toll Free: 866-204-5229
 PH: 918-317-0401
 FAX: 918-317-0407
 www.wheatleyhvac.com
 e-mail: sales@globalflowproducts.com