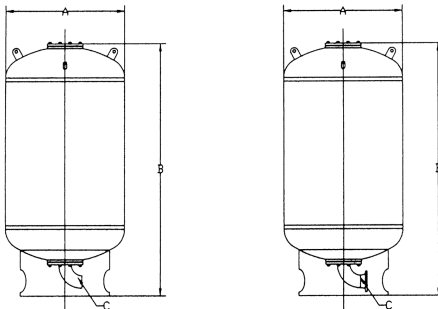


BLADDER EXPANSION TANK (ASME Rated) B-Series (Bottom Connection)



160 GALLON THRU 265 GALLON
FACTORY PRECHARGE: 12 PSI

320 GALLON THRU 1320 GALLON
FACTORY PRECHARGE: 12 PSI

PART NUMBER	TANK VOLUME	DIAMETER A (IN.)	LENGTH B (IN.)	INLET/OUTLET C (IN.)	WEIGHT	WORKING PRESSURE
BET-160B	160 GALLON	25.6	89	2 NPT	390	150 PSI
BET-210B	210 GALLON	29.5	90	2 NPT	530	150 PSI
BET-265B	265 GALLON	31.5	95.5	2 NPT	560	150 PSI
BET-320B	320 GALLON	35.5	101	2 FLANGE	800	150 PSI
BET-370B	370 GALLON	37.5	103	2 FLANGE	860	150 PSI
BET-420B	420 GALLON	41.5	100	2 FLANGE	1100	150 PSI
BET-530B	530 GALLON	43.5	111	2 FLANGE	1200	150 PSI
BET-790B	790 GALLON	51.2	120	3 FLANGE	1720	150 PSI
BET-1060B	1060 GALLON	61	123	3 FLANGE	2450	150 PSI
BET-1320B	1320 GALLON	63	132	3 FLANGE	2800	150 PSI

For Potable Expansion Bladder Tanks, please see series NTE and THA. For Potable Bladder Tanks, please see series DPT and BPT.

Notes: System connection can be changed for top connection! Units can be installed horizontally!

USE: Designed to absorb expansion of non-potable fluids in typical hydronic & cooling systems.

Bladder material is suitable for hot water application.

Installation of tank will help eliminate unnecessary blowing of relief valves and lost BTUs.

SPECIFICATION:

Carbon Steel Construction

Maximum Temperature 240° F

Permanent Separation of Air and Water

Carbon Steel System Connections

Fully Adjustable in the Field

ASME Section VIII, Division I, Stamped with Documentation

Working Pressure: See Table Above

Primed and Painted Exterior

Fully Replaceable Bladder

Factory Air Charged to 12 P.S.I.

For Non-Domestic Use

Dimensions are subject to change without notice, please confirm actual dimensions with factory at time of order.

JOB NAME _____
 LOCATION _____

 CONTRACTOR _____
 CONTRACTOR P.O. NO. _____

ITEMS	QUANTITY
_____	_____
_____	_____
_____	_____
_____	_____
_____	_____
_____	_____



1005 E. Houston
 Broken Arrow, OK 74012
 Toll Free: 866-204-5229
 PH: 918-317-0401
 FAX: 918-317-0407
 www.wheatleyhvac.com
 e-mail: sales@globalflowproducts.com