

Wheatley HVAC Suction Diffuser Class 125



1/4" pressure taps available on certain sizes (consult factory)

Available in sizes 2"x1 1/2" through 12"x12" with cast iron bodies and flanged inlet-outlet connections.

Standard Features Include

- Direct mounting in horizontal or vertical position. Flanges are Class 125 ANSI (ASA) flat faced (For Class 300 flanges consult factory).
- Integrally cast stabilizing vanes.
- Separate fine mesh start up screen surrounds each perforated screen.

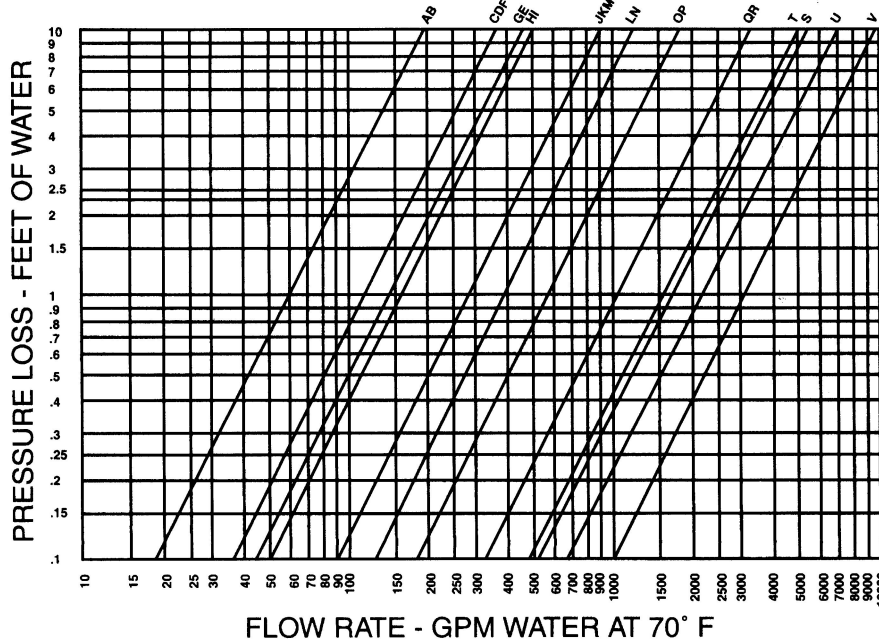
- Cast on pads for convenient mounting of standard I.D. support foot.
- Drain/purge plugs for removal of foreign particles without disassembly.
- Class 125 (175 PSI)
- 250°F maximum working temperature
- Magnetic Plug

The Wheatley suction diffuser is designed to reduce space and installation costs by replacing a long radius elbow, strainer and extended entry pipe on the suction side of the pump. The flow stabilizing vanes reduce turbulence and resulting stress and vibration.

In addition, the suction diffuser strainer removes foreign particles which may be hazardous to the pump and other system components. Consult factory for materials recommendation based on flow media.

Multi-function benefits saves costs and space by replacing:

- 90° Elbow
- Strainer
- Flow Stabilizing Piping



Dimensions are subject to change without notice, please confirm actual dimensions with factory at time of order.

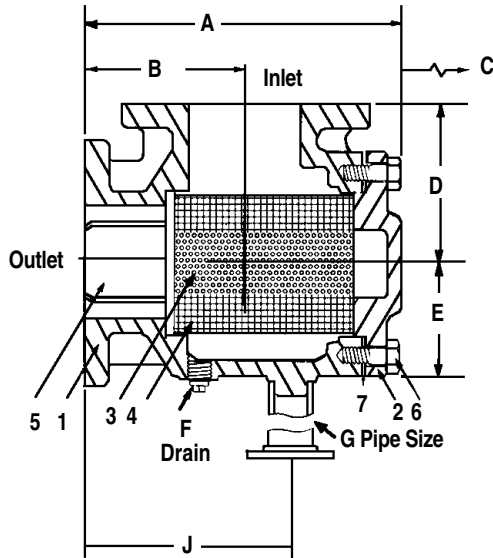
JOB NAME _____
LOCATION _____

CONTRACTOR _____
CONTRACTOR P.O. NO. _____

ITEMS	QUANTITY
_____	_____
_____	_____
_____	_____
_____	_____
_____	_____



1005 E. Houston
Broken Arrow, OK 74012
Toll Free: 866-204-5229
PH: 918-317-0401
FAX: 918-317-0407
www.wheatleyhvac.com
e-mail: sales@globalflowproducts.com



Materials of Construction

Item	Description	Material
1	Body	Cast Iron
2	Cover	Cast Iron
3	Strainers	Stainless Steel
4	Start up Strainer	20 Mesh Screen
5	Diffuser	Cast Iron
6	Cap Screw	Steel
7	Gasket/O-Ring	Consult Factory
8	Plug	Steel

General Dimensions Class 125

Pressure Loss Curve Reference	Model Number	Class 125 ANSI (ASA)		Strainer		Dimensions (In.)								Weight (Lbs.)	
		Inlet	Outlet	Free Area	Dia. Openings (In.)	A	B	C	D	E	F(NPT)	**G	J		Width
B	SD0215	2	1 1/2	27	1/8	9 3/8	4 1/2	8 13/16	4 1/2	2 3/16	3/4	1	6 1/8	6 1/2	21
C	SD0202	2	2	27	1/8	9 3/8	4 1/2	8 13/16	4 1/2	2 3/16	3/4	1	6 1/8	6 1/2	23
D	SD2502	2 1/2	2	37	1/8	10 3/8	5	9 3/8	5	3 1/8	3/4	1	6 9/16	7 1/2	32
E	SD2525	2 1/2	2 1/2	37	1/8	10 3/8	5	9 3/8	5	3 1/8	3/4	1	6 9/16	7 1/2	34
F	SD0302	3	2	37	1/8	8 1/8	4 1/4	5	4 11/16	3 1/8	3/4	1	5 5/8	7 1/2	37
G	SD0325	3	2 1/2	37	1/8	8 1/4	4 3/8	5	4 11/16	3 1/8	3/4	1	5 3/4	7 1/2	49
H	SD0303	3	3	50	1/8	9 3/8	4 3/4	5 1/4	4 3/4	3 5/8	3/4	1	6 5/8	7 1/2	55
I	SD0403	4	3	50	1/8	9 3/8	4 3/4	5 1/4	5 5/8	3 5/8	3/4	1	6 5/8	9	57
J	SD0404	4	4	82	1/8	11 1/8	5 3/4	6 3/4	5 3/4	4 1/4	3/4	1 1/4	7 5/8	9	92
K	SD0504	5	4	82	1/8	11 1/8	5 3/4	6 3/4	6 5/8	4 1/4	3/4	1 1/4	7 5/8	10	97
L	SD0505	5	5	104	1/8	12 3/8	6 1/2	7 1/8	6 1/2	4 7/8	1	1 1/4	8 5/8	10	101
M	SD0604	6	4	82	1/8	11 1/8	5 3/4	6 3/4	7 1/2	4 1/4	3/4	1 1/4	7 3/4	11	104
N	SD0605	6	5	104	1/8	12 3/8	6 1/2	7 1/8	7 3/8	4 7/8	1	1 1/4	8 5/8	11	145
O	SD0606	6	6	153	1/8	13 3/8	7	7 7/8	7	5 7/8	1	2	9 1/8	11	182
P	SD0806	8	6	153	1/8	13 3/8	7	7 7/8	8 3/4	5 7/8	1	2	9 1/8	13 1/2	197
Q	SD0808	8	8	275	1/8	18 3/8	9 1/4	16 1/4	9 1/4	6 3/8	1	2	11 5/8	13 1/2	292
R	SD1008	10	8	275	1/8	18 3/8	9 1/4	16 1/4	11	6 3/8	1	2	11 5/8	16	312
S	SD1010	10	10	420	1/8	23 3/8	11	16 1/8	11 1/4	8	1	2	13 3/4	16	398
T	SD1208	12	8	250	1/8	18 3/8	9 1/4	16 1/4	12	6 3/8	1	2	11 5/8	19	412
U	SD1210	12	10	380	1/8	23 3/8	11	16 1/8	12	8	1	2	13 3/4	19	491
V	SD1212	12	12	560	1/8	26	12	18 1/8	12	9 1/4	1	2	13 7/8	19	573

*Perforated basket includes fine mesh start-up screen. Start-up screen should be removed and disposed of after 1 month operation.

** Pipe Support supplied by contractor.

Dimensions are subject to change without notice, please confirm actual dimensions with factory at time of order.