

Triple Duty Valve

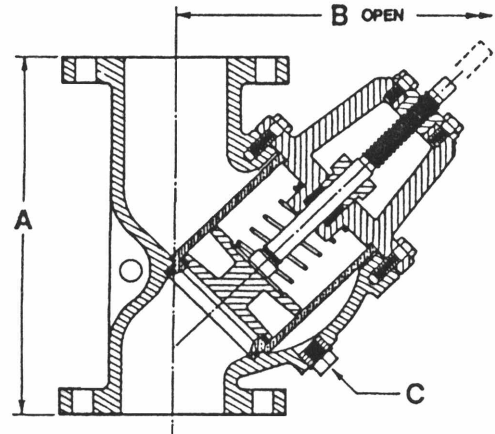
Globe Style

Capabilities

- Flow Regulator Valve
- Back Flow Preventor
- Positive Shutoff Valve
- HWO Operated

SIZE	A inch (mm)	B inch (mm)	C inch (mm)	Weight Lbs. (kg.)
2	8.38	9.63	.50	34
50	213	244	15	15
2 1/2	9.88	10.00	.50	40
65	251	254	15	18
3	10.00	10.13	.50	50
80	254	257	15	23
4	14.50	12.63	.50	100
100	368	321	15	45
5	16.00	16.38	.50	155
125	406	416	15	70
6	18.00	17.50	.75	200
150	457	444	20	91
8	21.50	18.50	.75	350
200	546	470	20	159
10	25.50	21.75	1.00	480
250	648	552	25	218
12	30.00	24.50	1.00	660
300	762	622	25	300
14	30.38	29.63	1.00	898
350	772	753	25	408
16	35.50	32.63	1.00	1172
400	907	828	25	1533

Dimensions are subject to change without notice, please confirm actual dimensions with factory at time of order.



MATERIAL OF CONSTRUCTION

Body and Yoke	Cast Iron ASTM A 126-B Ductile Iron ASTM A536
Disc	Ductile Iron/EPDM
Stem	Bronze ASTM B21
Seat Guide	Bronze
Flanged Gland	Cast Iron ASTM A 126-B
Packing	Non Asbestos
Spring	300 Series Stainless Steel
Stem Guide	Ductile Iron ASTM A536
O-Rings	EPDM
Other materials available on application.	

WORKING PRESSURES - NON-SHOCK

	WOG
2" to 12"	200 PSI @ 150°F (14 bar @ 66°C) 165 PSI @ 300°F
14" & 16"	150 PSI @ 150°F (10 bar @ 66°C) 110 PSI @ 300°F

JOB NAME _____
 LOCATION _____

 CONTRACTOR _____
 CONTRACTOR P.O. NO. _____

ITEMS	QUANTITY
_____	_____
_____	_____
_____	_____
_____	_____
_____	_____
_____	_____



1005 E. Houston
 Broken Arrow, OK 74012
 Toll Free: 866-204-5229
 PH: 918-317-0401
 FAX: 918-317-0407
 www.wheatleyhvac.com
 e-mail: sales@globalflowproducts.com