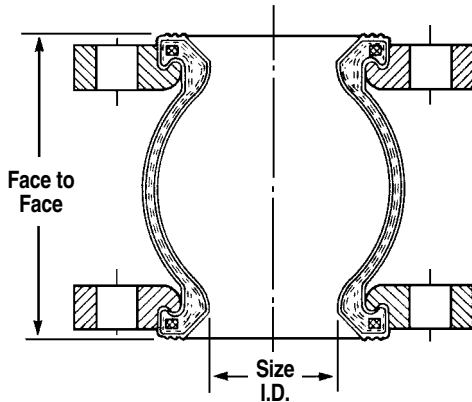


Single Sphere Elastomer Pump Connector



Features:

- Reduces vibration and noise in piping system
- Streamlined, flowing arches reduce turbulence, sediment build-up and the effects of thrust on the piping
- Controls thermal movement, pulsation, misalignment and electrolysis
- Under pressure, spherical shape is up to four times stronger than a cylindrical joint
- Spherical shape requires half the amount of space of cylindrical joint, and at the same time is about one-third of the weight of a cylindrical
- Standard construction of EPDM with a hard steel wire frame and nylon cord lining

Dimensions:

Model No.	Joint Size I.D.	Face to Face	Pressure/Vacuum		Temperature (°F)		Movement Capability				
			(psig)	Bursting Pressure	Min.	Max.	Comp.	Elong.	Lateral (±in.)	Deflection	Wt. (lbs.)
SSP0150	1 1/2"	6"	227	680	14	240	1/2"	3/8"	1/2	15°	7.0
SSP0200	2"	6"	227	680	14	240	1/2"	3/8"	1/2	15°	8.8
SSP0250	2 1/2"	6"	227	680	14	240	1/2"	3/8"	1/2	15°	12.5
SSP0300	3"	6"	227	680	14	240	1/2"	3/8"	1/2	15°	14.0
SSP0400	4"	6"	227	680	14	240	5/8"	3/8"	1/2	15°	18.0
SSP0500	5"	6"	227	680	14	240	5/8"	3/8"	1/2	15°	22.5
SSP0600	6"	6"	227	680	14	240	5/8"	3/8"	1/2	15°	26.8
SSP0800	8"	6"	227	680	14	240	5/8"	3/8"	1/2	15°	37.8
SSP1000	10"	8"	227	680	14	240	3/4"	1/2"	3/4	15°	55.5
SSP1200	12"	8"	227	680	14	240	3/4"	1/2"	3/4	15°	83.0
SSP1400	14"	8"	227	680	14	240	3/4"	1/2"	3/4	15°	100.0
SSP1600	16"	8"	227	680	14	240	3/4"	1/2"	3/4	15°	120.0
SSP1800	18"	8"	227	680	14	240	3/4"	1/2"	3/4	15°	140.0
SSP2000	20"	8"	142	426	14	240	3/4"	1/2"	3/4	15°	170.0

JOB NAME _____
 LOCATION _____

 CONTRACTOR _____
 CONTRACTOR P.O. NO. _____

ITEMS	QUANTITY
_____	_____
_____	_____
_____	_____
_____	_____
_____	_____
_____	_____



1005 E. Houston
 Broken Arrow, OK 74012
 Toll Free: 866-204-5229
 PH: 918-317-0401
 FAX: 918-317-0407
 www.wheatleyhvac.com
 e-mail: sales@globalflowproducts.com