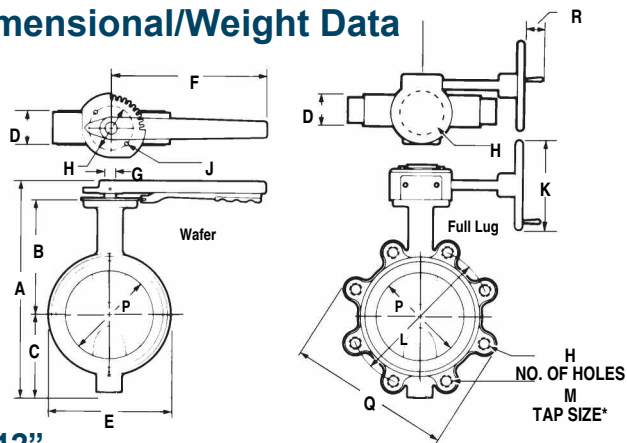


Butterfly Valve

Dimensional/Weight Data



2"-12"

Size	2	2 1/2	3	4	5	6	8	10	12
A	9 3/8	10 3/16	10 11/16	13	14	15 3/16	17 3/4	20 1/2	23 1/2
B	5 3/8	5 15/16	6	7	7 7/16	7 13/16	9 3/16	10 1/2	12 1/16
C	3	3 3/4	3 11/16	4 13/16	5 1/4	5 5/8	6 15/16	8 3/8	9 9/16
D	1 3/4	1 7/8	1 7/8	2 1/8	2 1/4	2 1/4	2 1/2	2 13/16	3 1/8
E	4	4 3/4	5 1/4	6 1/8	7 1/2	8 1/2	10 5/8	12 1/2	14 3/4
F	8	8	8	11	11	11	16	16	16
G	.561	.561	.561	.686	.686	.811	.936	1.123	1.247
H	3 1/4	3 1/4	3 1/4	3 1/4	3 1/4	3 1/4	4 3/4	4 3/4	4 3/4
J	.266	.266	.266	.266	.266	.266	.563	.563	.563
K	6	6	6	6	6	6	10	10	12
L	4 3/4	5 1/2	6	7 1/2	8 1/2	9 1/2	11 3/4	14 1/4	17
M*	5/16-11 UNC	5/16-11 UNC	5/16-11 UNC	5/16-11 UNC	3/8-10 UNC	3/8-10 UNC	3/8-10 UNC	7/16-9 UNC	7/16-9 UNC
N	4	4	4	8	8	8	8	12	12
P	2	2 1/2	3	4	5	6	8	10	12
Q	6	7	7 1/2	9	10	11	13 1/2	16	19
R	3	3	3	3	3	3	3	3	3

*For drilled lugs, add 1/8"

These are approximate dimensions. Please contact factory for certified prints on exact dimensions.

Materials of Construction

Body	Ductile Iron
Stem	416 Stainless Steel or 304 Stainless Steel
Discs	316 Stainless Steel
Seats	EPDM Standard Teflon*, Buna*, Viton*

*Optional materials available upon request

Operating Torque Data Approximate Values (inch pounds)

These seating torque values are for sizing actuators only. Wet (normal) service is where valve seat is lubricated with a clean, non-abrasive line medium. Dry (Gas, Air, Abrasive) service is where valve seat operates under non-lubricated conditions.

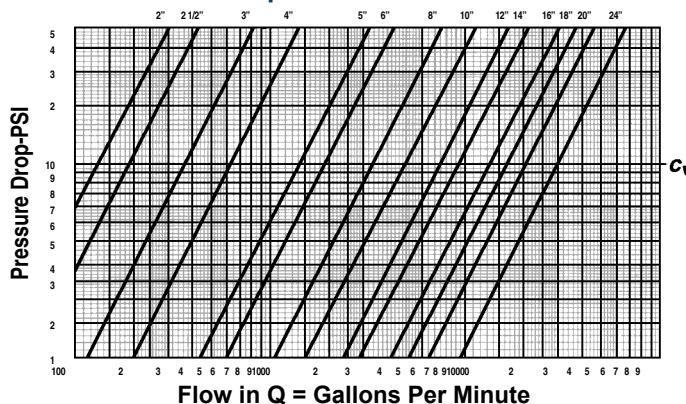
Torque values are for ambient temperatures.

Torque values can vary depending upon temperature, pressure, line medium and resilient seat material.

Key Design Features:

- Specifically designed for HVAC applications
- Meets MSS-SP-67 and API 609
- ANSI Class 125/150 lb.
- 200 PSI WOG rated
- Low operating torque
- Streamlined disc minimizes turbulence and pressure drop
- One-piece resilient seat eliminates need for flange gaskets
- Stem O-rings prevent atmospheric contamination from entering line medium
- Long neck allows ample clearance for piping insulation
- All valves 100% hydrostatically pressure tested on both sides
- Maximum temperature 0°F-200°F continuous or 0°F-225°F intermittent

Maximum Flow/Pressure Drop Data Flow with Valve Full Open



Size	Approximate Butterfly Valve Operating Torque (In-Lbs)					
	O PSI		100 PSI		200 PSI	
	Wet	Dry	Wet	Dry	Wet	Dry
2	130	175	160	220	190	250
2 1/2	150	200	190	250	225	300
3	200	275	260	350	300	400
4	330	450	420	550	450	600
5	375	500	620	825	675	900
6	675	900	900	1200	1100	1450
8	900	1200	1200	1600	1500	2000
10	1900	2500	2250	3000	2900	3800
12	2400	3200	3400	4500	4500	6000

JOB NAME _____
 LOCATION _____

 CONTRACTOR _____
 CONTRACTOR P.O. NO. _____

ITEMS	QUANTITY
_____	_____
_____	_____
_____	_____
_____	_____
_____	_____
_____	_____