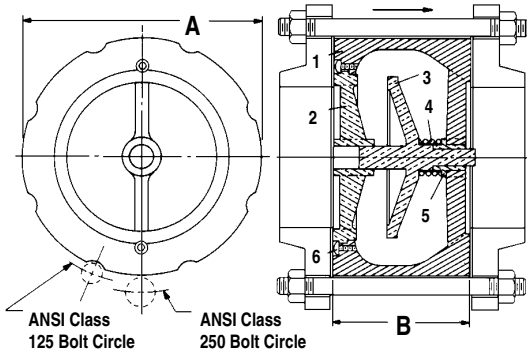


Wafer Style Non Slam Check Valve



Silent check valves are engineered for silent operation, low head loss — plus...

- Shortest feasible face to face dimensions
- Lightweight, space-saving wafer design
- Easily replaceable parts
- Drop-tight seating
- Functions equally well in all positions
- Cast iron body/bronze or stainless steel trim
- Simple flange-supported installation

ANSI CLASS 125			
Size	Weight (lbs.)	A	B
2"	6	4 1/4"	2 5/8"
2 1/2"	7	5"	2 7/8"
3"	12	5 3/4"	3 1/8"
4"	18	7"	4"
5"	27	8 3/8"	4 3/4"
6"	42	9 3/4"	5 1/2"
8"	85	13 3/8"	6 1/2"
10"	146	16"	8 1/4"
12"	C/F	16 3/8"	11 1/4"
14"	C/F	18 7/8"	13 3/4"

ANSI CLASS 250			
Size	Weight (lbs.)	A	B
2"	6	4 1/4"	2 5/8"
2 1/2"	7	5"	2 7/8"
3"	12	5 3/4"	3 1/8"
4"	18	7"	4"
5"	27	8 3/8"	4 3/4"
6"	42	9 3/4"	5 1/2"
8"	86	13 3/8"	6 1/2"
10"	137	16"	8 1/4"

Bill of Materials

Part No.	Part Name	Standard Material	Optional Material
1	Body	Cast Iron	
2	Seat	Bronze	Stainless Steel
3	Plug	Bronze	Stainless Steel
4	Spring	Stainless Steel	
5	Bushing	Bronze	Stainless Steel
6	Screw	Stainless Steel	

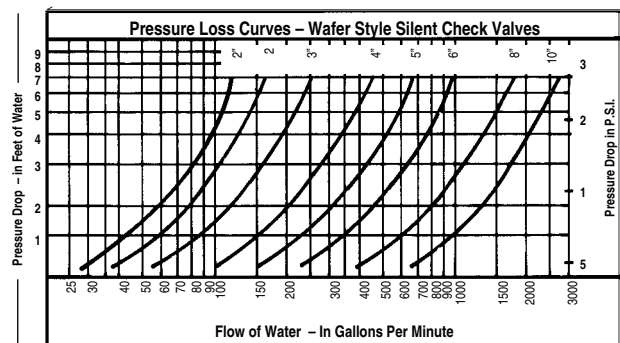
1. Additional materials and pressure classifications available.
2. Factory mutual approval upon request.
3. These are approximate dimensions.
Please contact factory for certified prints on exact dimensions.

Pressure Temperature Ratings

Temperature Degrees F.	Maximum Non-shock Service Pressure	
	ANSI B16.1 Flange Ratings	
	125 lb. Class 2" thru 12"	250 lb. Class 2" thru 12"
0-15	200	400
200	190	370
Test Pressure	300	600

Note: Stainless steel trim recommended for temperatures 180° - 200°F.

Performance Curves



JOB NAME _____
 LOCATION _____

 CONTRACTOR _____
 CONTRACTOR P.O. NO. _____

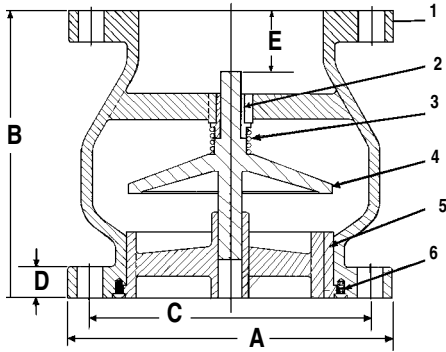
ITEMS	QUANTITY
_____	_____
_____	_____
_____	_____
_____	_____
_____	_____
_____	_____



1005 E. Houston
 Broken Arrow, OK 74012
 Toll Free: 866-204-5229
 PH: 918-317-0401
 FAX: 918-317-0407
 www.wheatleyhvac.com
 e-mail: sales@globalflowproducts.com

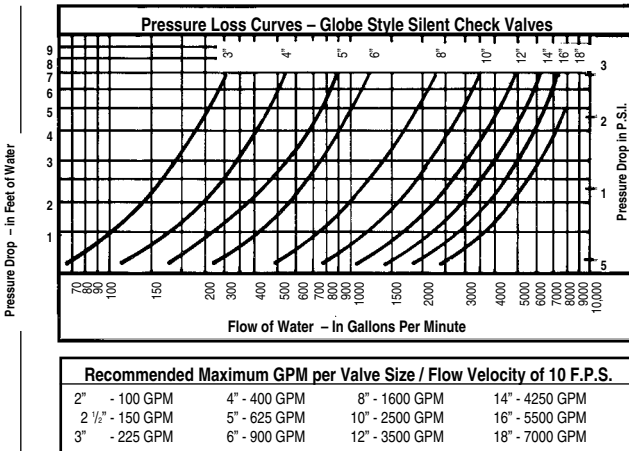
Globe Style Non Slam Check Valve

Globe Style



Note: These valves mate to wafer style butterfly valves without the use of spool pieces or other adaptors.

Performance Curves



ANSI CLASS 125

Valve Size	A	B	C	D	E	Bolt Size	No. of Bolts
2 1/2"	7"	5 1/2"	5 1/2"	1 1/16"	1"	5/8"	4
3"	7 1/2"	6"	6"	1 5/16"	1 3/8"	5/8"	4
4"	9"	7 1/4"	7 1/2"	1 5/16"	1 3/4"	5/8"	8
5"	10"	8 1/2"	8 1/2"	1 5/16"	2"	5/8"	8
6"	11"	9 3/4"	9 1/2"	1"	2 1/2"	3/4"	8
8"	13 1/2"	12 1/2"	11 3/4"	1 1/8"	3 1/4"	3/4"	8
10"	16"	15 1/2"	14 1/4"	1 13/16"	4 1/4"	7/8"	12
12"	19"	14 1/4"	17"	1 1/4"	NA	7/8"	12
14"	21"	15 3/4"	18 3/4"	1 3/8"	NA	1"	12
16"	25 3/4"	17 5/8"	21 1/4"	1 7/16"	NA	1"	16

ANSI CLASS 250

Valve Size	A	B	C	D	E	Bolt Size	No. of Bolts
2 1/2"	7 1/2"	5 1/2"	5 7/8"	1"	1"	3/4"	8
3"	8 1/4"	6"	6 5/8"	1 1/8"	1 3/8"	3/4"	8
4"	10"	7 1/4"	7 7/8"	1 1/4"	1 3/4"	3/4"	8
5"	11"	8 1/2"	9 1/4"	1 3/8"	2"	3/4"	8
6"	12 1/2"	9 3/4"	10 5/8"	1 7/16"	2 1/2"	3/4"	12
8"	15"	12 1/2"	13"	1 5/8"	3 1/4"	7/8"	12
10"	17 1/2"	15 1/4"	15 1/4"	1 7/8"	4 1/4"	1"	16
12"	20 1/2"	14 1/4"	17 3/4"	2"	3/4"	1 1/8"	16

Bill of Materials

Part Number	Part Name	Standard Material	Optional Material
1	Body	Cast Iron	
2	Seat	Bronze	Stainless Steel
3	Plug	Bronze	Stainless Steel
4	Spring	Stainless Steel	
5	Bushing	Bronze	Stainless Steel
6	Screw	Stainless Steel	

Pressure Temperature Ratings

Temperature Degrees F.	Maximum Non-shock Service Pressure	
	ANSI B16.1 Flange Ratings	
	125 lb. Class 2" thru 12"	250 lb. Class 2" thru 12"
0-15	200	400
200	190	370
Test Pressure	300	600

Note: Stainless steel trim recommended for temperatures 180° - 200°F.

JOB NAME _____
 LOCATION _____

 CONTRACTOR _____
 CONTRACTOR P.O. NO. _____

ITEMS	QUANTITY
_____	_____
_____	_____
_____	_____
_____	_____
_____	_____



1005 E. Houston
 Broken Arrow, OK 74012
 Toll Free: 866-204-5229
 PH: 918-317-0401
 FAX: 918-317-0407
 www.wheatleyhvac.com
 e-mail: sales@globalflowproducts.com