

# Commercial Deluxe Energy Saver Gas-Model

**3N-199-100T-D                      NON CODE**  
**3NA-250-100T-D                    CODE**

**FEATURES:**

**Non-cfc foam insulation** R - value 16

**Vitraglas® lined tank** Storage tanks are protected from the corrosive effects of hot water by an exclusive ceramic porcelain-like coating. Vitraglas® provides a tough interior surface for storage tanks, which must withstand the wearing effects of high volume and high temperature hot water.

**Fuel damper** Automatic fuel damper located at the blower outlet reduces stand-by loss, saving money and fuel.

**T&P relief valve installed.**

**Spark ignition** Spark ignition eliminates the constant burning pilot used on other commercial water heaters. This device results in savings of pilot gas during stand-by periods. (115v AC Required)

**Two magnesium anode rods** Employed to provide an extra measure of corrosion prevention for longer life.

**Hand hole cleanout** allows inspection of tank interior and facilitates removal of water heater's principal deterrent to long life - accumulated lime and sediment deposits.

**Controls** Electric thermostat adjustable to any temperature up to 180°F. An energy Cut-off (E.C.O.) shuts off all gas in event of an overheat condition.

**Non ASME**

**AGA Certified, C.E.C.**

**ASME Code - 250,000 BTU input**

**199,000 and 250,000 BTUH input**

**Three year limited warranty** Protects your investment in a quality glass lined heater. If the tank leaks for reasons of faulty materials, workmanship, or corrosion within the warranty period, the heater will be replaced with a comparable heater of our manufacture. (Exclusive of all shipping and reinstallation costs.) See complete copy of the warranty included with the heater.

**One year limited parts warranty** These quality components are manufactured for us by industry leaders and will be replaced in the event of failure during the parts warranty period (Exclusive of all shipping and reinstallation costs.)

**Propane** change "N" prefix to "X"

**Optional power vent kit**

199,000 B.T.U. - Part # 00-81764-239

250,000 B.T.U. - Part # 00-81764-239

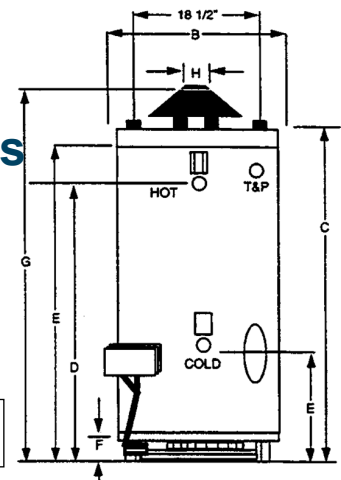


JOB NAME _____
LOCATION _____
_____
CONTRACTOR _____
CONTRACTOR P.O. NO. _____

ITEMS	QUANTITY
_____	_____
_____	_____
_____	_____
_____	_____
_____	_____

## Commercial Deluxe Energy Saver Gas-Models 3N-199-100T-D 3NA-250-100T-D

**DELUXE ENERGY SAVER MODELS** Includes installed T&P Valve and Flue Damper with Spark Ignition.



*Propane (LP) Gas Inputs	1st HR. DEL. GAL 100° RISE	RECOVERY GPH 40° 100° 140°
3XA-250-100T-D 235,000 BTU/H	297	570 228 163

M	V	●	▲	★	MODEL NUMBER	NAT & LP INPUT BTU	1ST HR. DEL GAL AT 100°F RISE	RECOVERY GPH AT DEGREE RISE			STG. CAP. U.S. GAL.	DIMENSIONS IN INCHES										WEIGHT		
								40°	100°	140°		A HT.	B DIA.	C TOP WTR. CONN.	D FRNT. CW CONN.	E FRNT. HW CONN.	F GAS CONN.	G TOP VENT HT.	H VENT DIA.	WTR. CONN.	GAS CONN. DIA.	GAS CONN. DIA.	STD.	ASME
	✓	●	▲	★	3N-199-100T-D	199,999	263	485	194	138	98	75 1/2	28 1/4	77 1/4	67	19 1/2	4 3/4	83	6	1 1/2	3/4	3/4	609	—
	✓	●	▲	★	3NA-250-100T-	250,000	311	606	242	173	98	75 1/2	28 1/4	77 1/4	67	19 1/2	4 3/4	83	6	1 1/2	3/4	1	—	689

Deluxe Series features available Hond Hole Cleanout standard on all models. Recoveries and First Hour Delivery Rating are based on Thermal Efficiencies ranging up to 80%. Recovery figures shown on water heater rating plates are based on 75% (76%) Thermal Efficiency in compliance with (AGA) ANSI Z-21. 10.3 requirements.

- M - Millivolt Control System
- V - 115V A.C. Required
- - Spark Ignition
- ▲ - 80% Thermal Efficient
- (A) - ASME
- T - Top Water Connection
- F - Front Water Connection
- ★ - Listed with California Energy Commission

These models meet or exceed the Thermal Efficiency and Standby Loss Requirements of ASHRAE 90.1b 1992.

### Maximum Delivery (in gallons) (Includes useable storage and recovery for indicated times)

Model	Temp. Rise	5 Min.	10 Min.	15 Min.	20 Min.	30 Min.	40 Min.	50 Min.	1 Hr.	2 Hrs.	3 Hrs.	Recovery at 100° F GPH	Recovery at 100° F GPM	Min. To Recover Contents
3N-199-100T-D	100°	80	95	110	128	159	192	225	263	457	651	194	3.23	30
3NA-250-100T-D	100°	82	101	121	142	181	222	263	311	553	795	242	4.0	24

All models are design certified by the American Gas Association for up to 180°F application as an Automatic Storage Heater, and an Automatic Circulating Tank Heater.

As an Automatic Storage Heater, all models are complete self-contained water heating systems. It needs no separate storage tank, pump, wiring or elaborate piping network. When equipped with a mixing valve, it will supply 180°F sanitizing and 140°F general purpose hot water simultaneously. These models can be used either as a single unit or in multiples connected in parallel with Univlo manifolds.

**Sample Specification:** The water heater shall be a RECO USA model with a storage capacity of not less than 80 gallons, a minimum gas input of \_\_\_\_\_ BTUH, and a recovery of \_\_\_\_\_ GPH at 100°F temperature rise. It shall be design certified by the American GAs Association for 180°F application, either with or without a separate storage tank. The tank shall be lined with Vitraglas® vitreous enamel and shall have a bolted hand hole cleanout. The tank shall have two extruded magnesium anode rods installed in separate head couplings and extended to within three inches of the bottom. The heater shall be insulated with not less than 2" of non-CFC foam insulation. This heater shall be equipped with a Spark ignition system and flue damper. (115V AC required). The entire installation shall be made in compliance with state and local codes and ordinances.

Dimensions and specifications subject to change without notice in accordance with our policy of continuous product improvement.