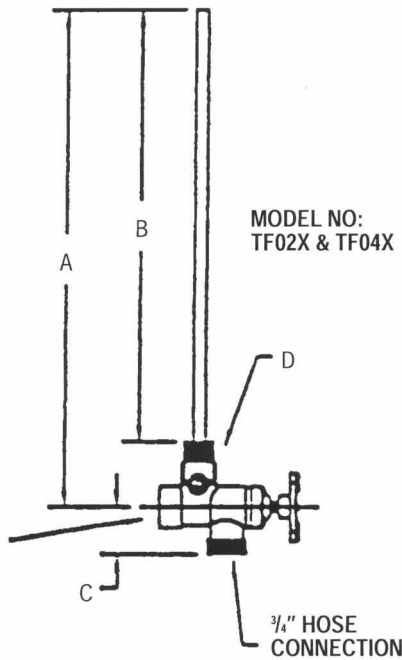


Tank Drain & Fill

Model TF02X & TF04X



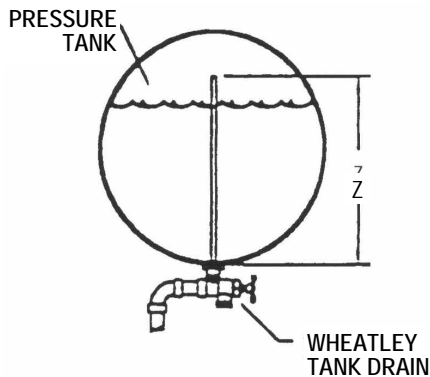
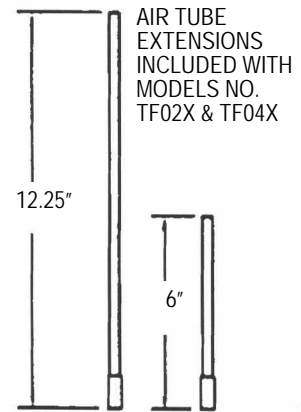
Dimensions And Sizing

Part #	Model	Tank Dia.	A (in)	B (in)	C (in)	D (npt)
TF02X	2X	14" or less	12.69	11	1.19	1/2"
	-6	20"	18.19	16.50	1.19	1/2"
	-12	24"	24.44	22.75	1.19	1/2"
	-612	30"	29.94	28.25	1.19	1/2"
TF04X	4X	16"	14.69	12.19	1.50	3/4"
	-6	20"	20.25	17.75	1.50	3/4"
	-12	24"*	26.50	24	1.50	3/4"
	-612	30" & up*	32.25	29.75	1.50	3/4"

* 2" must be cut from extended tube on 4X tank fitting with 24" and 30" diameter tanks.
See Z dimensions below.

Materials of Construction

- BodyCast Bronze
- Vent TubesCopper
- Max Pressure125 PSIG
- Max Temperature240°F



2 Dimensions for TF02X and TF04X with extensions

Model	Standard Lengths	6" Ext	12" Ext	6" & 12" Ext
TF02X	11.24	16.94	23.19	28.69
TF04X	12.19	18.31	24.31	30.06

JOB NAME _____
 LOCATION _____

 CONTRACTOR _____
 CONTRACTOR P.O. NO. _____

ITEMS	QUANTITY
_____	_____
_____	_____
_____	_____
_____	_____
_____	_____
_____	_____



1005 E. Houston
 Broken Arrow, OK 74012
 Toll Free: 866-204-5229
 PH: 918-317-0401
 FAX: 918-317-0407
 www.wheatleyhvac.com
 e-mail: sales@globalflowproducts.com