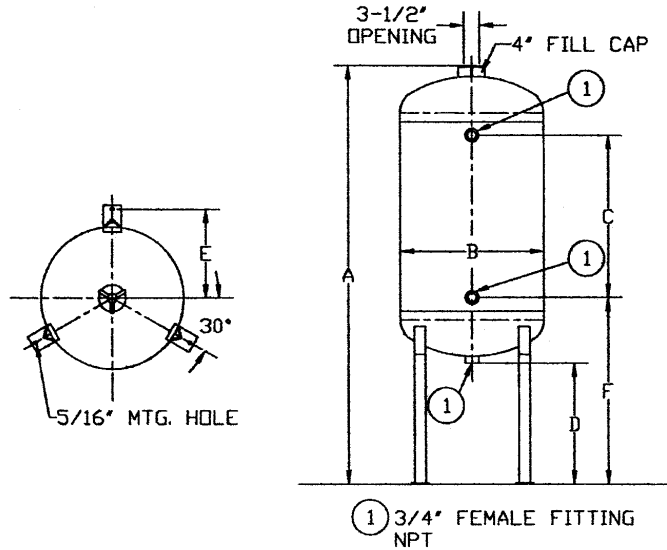


CHEMICAL BY-PASS FEEDERS



DISHED BOTTOM OUT-STYLE

PART NUMBER	VOLUME	A(IN.)	B(IN.)	C(IN.)	D(IN.)	E(IN.)	WEIGHT	HEAD GAGE	SHELL GAGE
VFT-002-0	2 GAL.	31-1/4	6	12-3/4	8-5/8	4-1/8	23	11	11
VFT-002-F	2 GAL.	31-1/4	6	12-3/4	8-5/8	4-1/8	23	11	11
VFT-005-0	5 GAL.	29-3/4	10	10-1/2	8	6-1/8	38	9	10
VFT-005-F	5 GAL.	29-3/4	10	10-1/2	8	6-1/8	38	9	10

PART# SUFFIX: F=Optional Filter Can be Installed
Cap is Cast Iron with Buna N Ring Wide Mouth

USE: For water treatment in closed circulating water systems and boilers. Great for use with chilled water treatment such as cooling systems and hot water treatment in heating systems. Helps prolong life of heating and cooling systems.

SPECIFICATIONS:

Carbon Steel Construction
Self Supported Bottom
Coarse Thread with 2 1/2 Turn Design

Working Pressure rated at 300 P.S.I.
Caps are Easy Quick Opening
Bottom of Cap is Epoxy Coated for Liquid

CARTRIDGE FILTER

PART NUMBER	DESCRIPTION
FC-005	5 MICRON PLEATED FILTER
FC-020	20 MICRON PLEATED FILTER

MODELS BFT-F AND VFT-F
INCLUDE BUILT IN SUPPORT
FOR FILTER ASSEMBLY.

FILTER
ASSEMBLY



JOB NAME _____
LOCATION _____

CONTRACTOR _____
CONTRACTOR P.O. NO. _____

ITEMS	QUANTITY
_____	_____
_____	_____
_____	_____
_____	_____
_____	_____