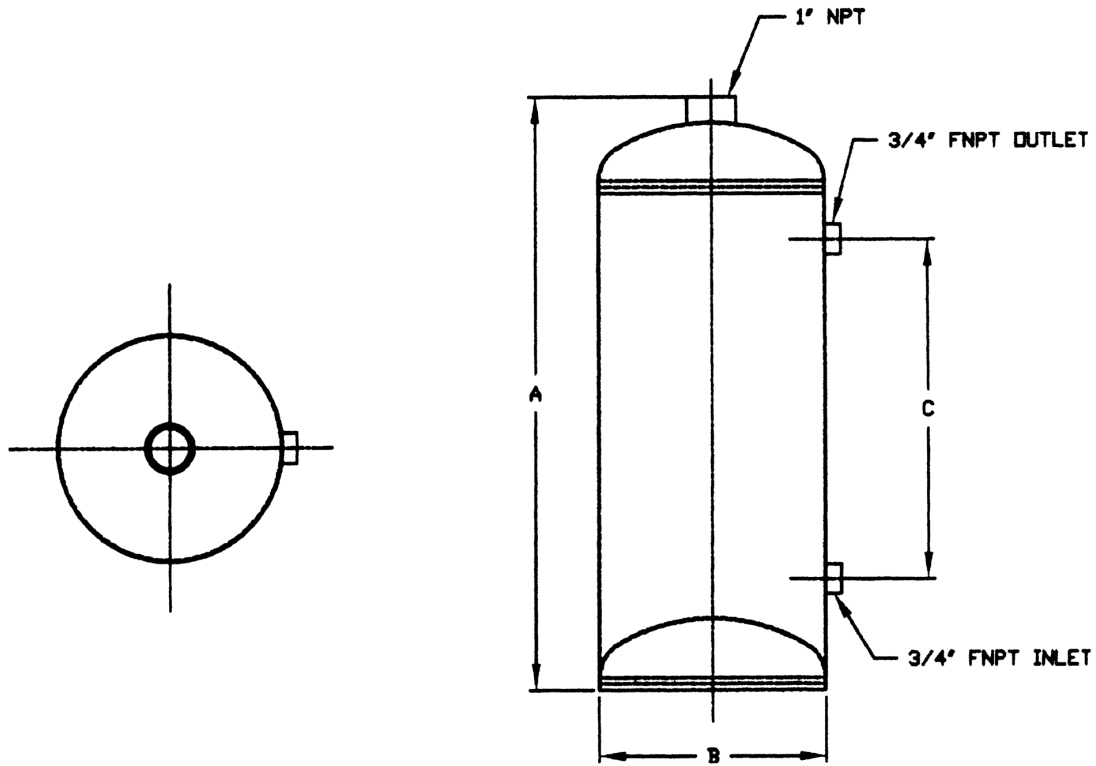


CHEMICAL BY-PASS FEEDERS



TWO FITTINGS STYLE

PART NUMBER	VOLUME	A(IN.)	B(IN.)	C(IN.)	HEAD GAGE	SHELL GAGE	WEIGHT
PFT-002	2 GAL.	20	6	12-3/4	11	11	10
PFT-005	5 GAL.	18	10	10-1/2	9	10	37

NO FILTER

USE: For water treatment in closed circulating water systems and boilers.
Great for use with chilled water treatment such as cooling systems and hot water treatment in heating systems.
Helps prolong life of heating and cooling systems.

SPECIFICATIONS (Non Code):

Carbon Steel Construction

Working Pressure rated at 300 P.S.I.

JOB NAME _____
 LOCATION _____

 CONTRACTOR _____
 CONTRACTOR P.O. NO. _____

ITEMS	QUANTITY
_____	_____
_____	_____
_____	_____
_____	_____
_____	_____



1005 E. Houston
 Broken Arrow, OK 74012
 Toll Free: 866-204-5229
 PH: 918-317-0401
 FAX: 918-317-0407
 www.wheatleyhvac.com
 e-mail: sales@globalflowproducts.com